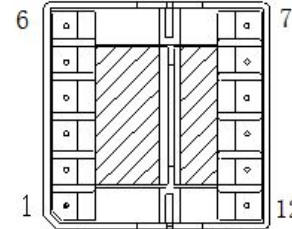
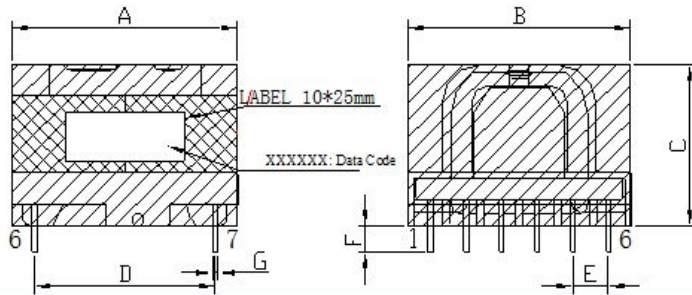


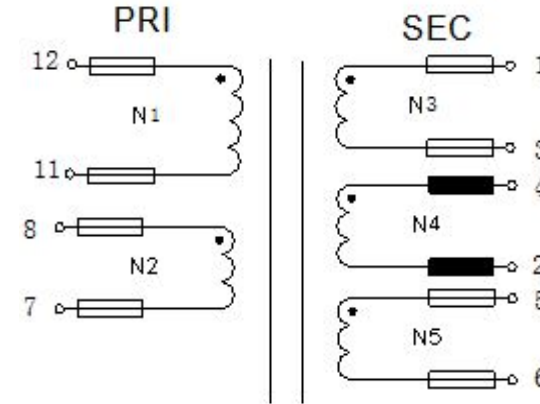
CUSTOMER TERMINAL	ROHS	Lead(Pb)-free
	YES	YES

## 1. Mechanical Dimensions



A	36.0	MAX
B	31.5	MAX
C	23.5	MAX
D	27.4	±0.4
E	4.8	±0.3
F	4.0	±0.5
G	0.8	±0.1

## 2. Schematic Diagram



## 3. Material List

Core:FW44 EPC29

Bobbin:EPC2934

Wire:2UEW LITZ

Operating Temperature: -30 to115 °C

## 4. Electrical Specification

Inductance :  $L(12-11):1.3mH \pm 5\%$  50KHZ, 1.0V

Leakage inductance :  $L(12-11):264\mu H \pm 4\%$  50KHZ, 1.0V

DCR :  $(12-11)=0.567\Omega$  MAX  $(1-3)=25.5m\Omega$  MAX

Hi-Pot:P-S: AC 60Hz 4000V 1mA 3S

P、S-CORE:AC 60Hz 2000V 1mA 3S

REV.	DATE	<p>Convention Placement</p>	DRW.		Drawing Title:	Part No:
0	00/00		CHK.			
				APP.		Customer P/N

**ROHS**

[www.ferriwo.com](http://www.ferriwo.com)